

## 2LE SERIES

# COMPACT MODEL

Metal Diaphragm Valves

Compact models from the Ultra Clean Valve series are made according to UHP specifications.

These models come with connection joints in 1/4", as a standard.

These valves fit into applications to which a minimum footprint is required.

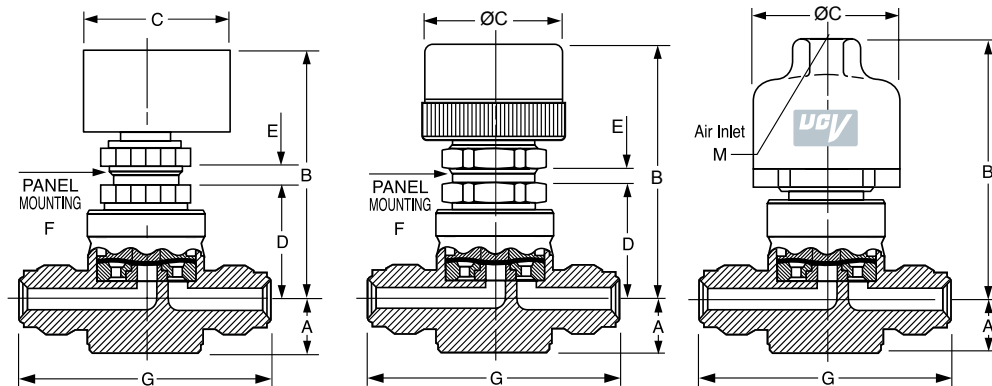
- Compact designs for minimum footprint.
- A large choice of fluid-specific seat materials is available as an option.
- Electropolished surfaces



For details, please contact one of our field representatives.

### STANDARD CONFIGURATION DIMENSIONS

Part Number/ep	Size	End Connection	A	B	C	D	E	F	G	I	J	K	M
2LES4Q-W	1/4	Extended Butt Weld	11	(52)	30	24.5	(4)	17	47			17	
2LEA4R-BV	1/4	Male HTC®	11	(54)	30	24.5	(4)	17		26	45	17	
2LES4C-FV	1/4	Swivel Female HTC®	11	(54)	32				66			17	Rc1/8



SPECIFICATIONS					
Size	Pressure	Temp.	Cv	Leak Rates	
				Inboard	Across Seat
1/4	1MPa (150 psi)	-10 to 60°C (PCTFE) -10 to 150°C (PI)	0.1	3X10 <sup>-12</sup> pa•m <sup>3</sup> /sec Helium	3X10 <sup>-10</sup> pa•m <sup>3</sup> /sec Helium

STRUCTURE		
Parts	Material	
1 Body	Stainless steel, 316L Var or Vim/Var (1)	
2 Seat	PCTFE/PI (Polyimide)	
3 Seat Holder	Stainless steel, 316L Var or Vim/Var (1)	
4 Diaphragm	Co-Cr-Ni Alloy	
5 Act. Button	304 Stainless Steel	
6 Act. Button Holder	Stainless Steel, ASTM 630 H900	
7 Actuation Device	Aluminum	

(1) Per SEMI F20-0305

### ORDERING INFORMATION

For ordering, see page 416

